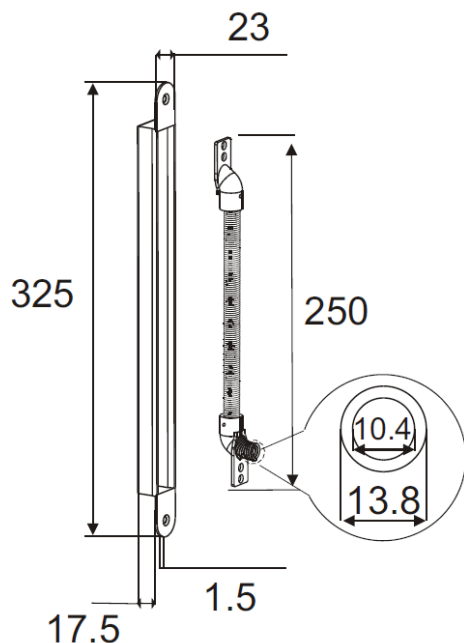




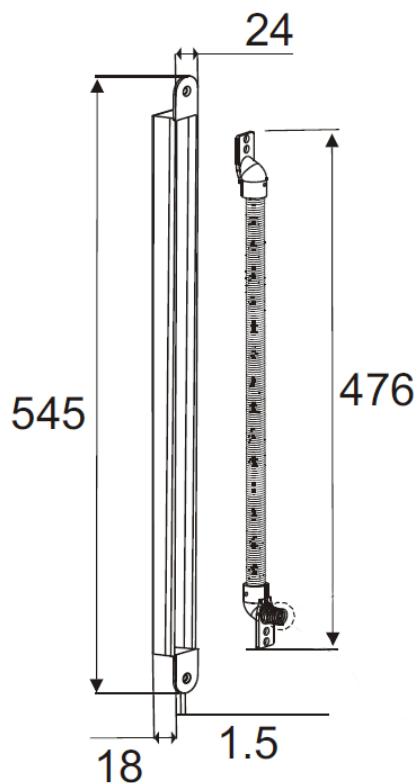
CONCEALED DOOR LOOPS



CDL-300



CDL-300



CDL-500

SPECIFICATION	FEATURES	OTHER PRODUCTS
---------------	----------	----------------

Concealed Door Loops

- Length Alloy tube length
 - CDL-300: 325mm (300mm between fixing holes)
 - CDL-500: 545mm (520mm between fixing holes)
- Mortice mounted
- Internal use
- Designed to protect the internal cable

Concealed Door Loops

- Iron Embedded box and onnector
- Steel spring
- Internal diameter of spring = 10mm



DIMENSIONS	CONTENTS
------------	----------

CDL-300 - 325mm (300mm between fixing holes)
283g unboxed
CDL-500 - 545mm (520mm between fixing holes)
503g Unboxed

Door Loop

- Concealed Door Loops

