



MONITORED DOOR STATUS STANDARD MAGNETIC LOCK (1200LB)

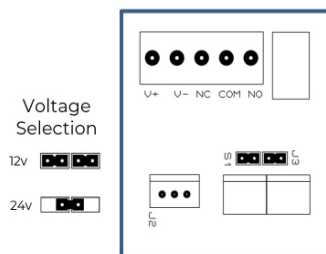
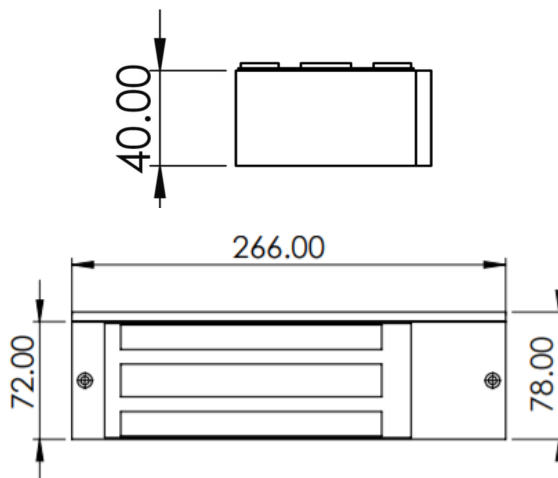
MAGNETIC LOCK

Fire tested range of maglocks and brackets from a market leader in access control.

FIRE TESTED to
BSEN1634-1-2014 & BS476:Part22:1987
(30, 60, 90 & 120 min timber door-sets)



ML1200-MDS



SPECIFICATION

- ML1200-MDS
- Aluminium housing
- 12/24 VDC @600/300mA
- 545kg (1200lb) holding force
- Built in surge protection
- Surface mount
- Fail safe operation (power to lock)
- +/- 15% voltage tolerance
- 10° to +50° operating temperature
- Push off release pin on armature
- Monitored (Lock Monitoring)
- Voltage free relay contacts
- Door Status Monitoring

(Lock monitoring checks maglock is reporting itself as locked. Door status monitoring has a contact that works independently from the maglock, and shows if the door is open or closed)

DIMENSIONS

- ML1200-MDS
- 266x72x40 (mm) Maglock (LxWxD)
- 185x60x15 (mm) Armature (LxWxD)
- 4.27kg Boxed
- 2.79kg Unboxed

FEATURES

- ML1200-MDS
- Fire rated (30, 60, 80 & 120 min timber door set)
- Standard magnet
- Clean and compact design
- No residual magnetism
- Power LED indication on ML1200 (Red LED only)
- Status LED indication on ML1200-M (Red to Green)

- Suitable Brackets/Housings:
- BK1200ZL (ZL bracket)
 - BK1200-F-L/AB (Architectural F/ZL)
 - BK1200L (L Bracket)
 - ADJ1200-L (Highly adjustable L)
 - AH1200 (Required for Fire Doors)

INWARD
OUTWARD

OTHER PRODUCTS

EBCBWC02/DR



EXTR02



ML600



DU-GB/PTE



CONTENTS

- ML1200-MDS
- Standard magnet
- Armature plate
- 1200GB fixing kit
- Instructions
- Armature fixing template

