



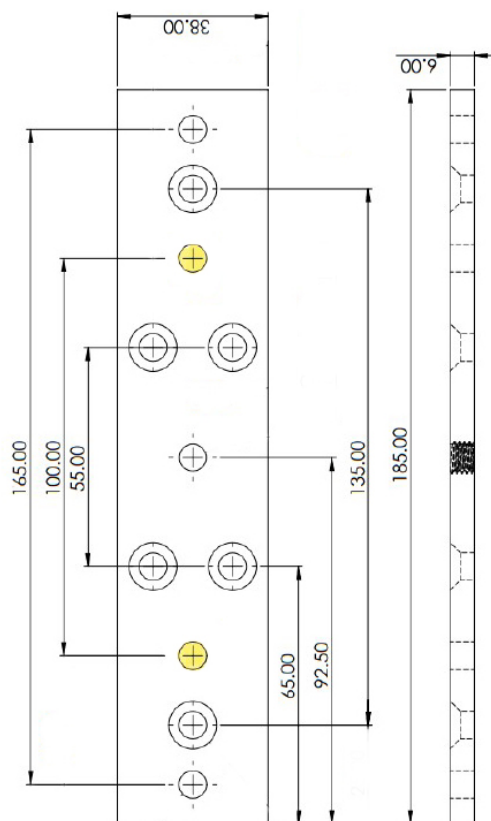
# ABP600 ARMATURE BACK PLATE

**MAGNETIC LOCK**

Range of maglocks and brackets from a market leader in access control.



**ABP600**



SPECIFICATION	FEATURES	OTHER PRODUCTS
---------------	----------	----------------

**ABP600**

- Light and strong aluminium armature
- Multiple fixing holes for holding strength
- Supplied with armature securing bolt
- Removes the need to drill through the door

Item can also be used to pack out the armature, when required to move it further away from the door. The ABP600 can also be installed inside the AH600 to move it out an additional 6mm.

**ABP600**

- Clean and compact design

ABP600 Suitable for following products:

- ML300
- ML600 / ML600-M / ML600-MDS
- ML600-D / ML600-D-M / ML600-D-MDS
- EXML600-GATE(M)



DIMENSIONS	CONTENTS	OTHER PRODUCTS
------------	----------	----------------

**ABP600**

- 185L x 38W x 6D (mm) (100g Boxed)

**ABP600**

- Armature Back Plate
- Armature Bolt

