

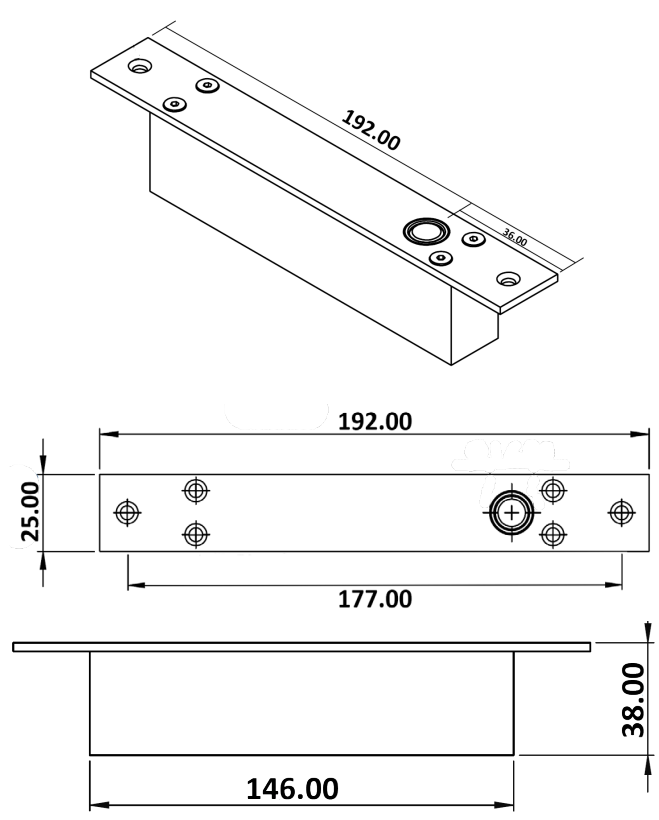


SOLENOID BOLT

DROP BOLT



SB-236



SPECIFICATION	FEATURES	OTHER PRODUCTS
---------------	----------	----------------

- SB-236
- Operating voltage: 12VDC
 - Standby current: 100mA
 - Operating current: 150mA
 - Initial surge 1.4A
 - Power to lock
 - Holding force 1000kg

- SB-236
- Fail-safe operation
 - Delay timer (0/3/6) seconds
 - Locking by detector plate
 - Monitored output for door status
 - Suitable for wooden doors
 - Concealed when fitted flush



DIMENSIONS

- SB-236
- 192x25x38 (mm)
 - 650g (Boxed)
 - 530g (Unboxed)

CONTENTS

- SB-236
- Solenoid Bolt
 - Strike Plate
 - Screws



Manufactured by a BSIA Member