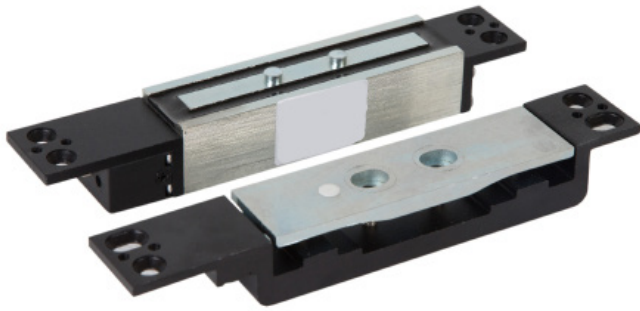




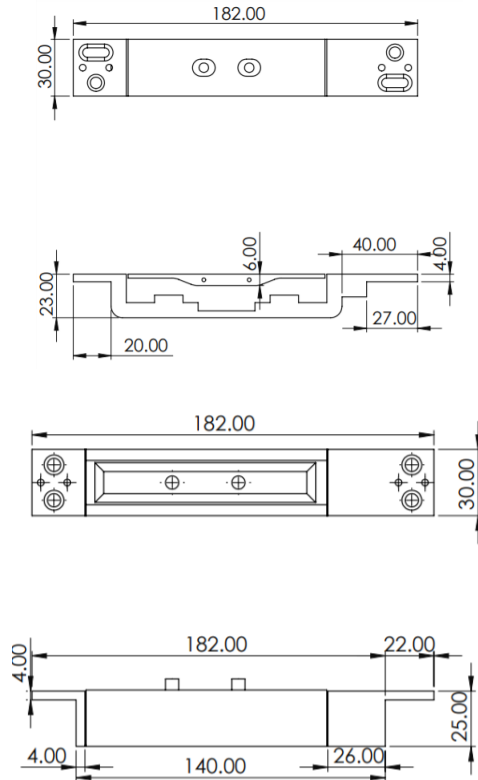
# SHEAR LOCK (2600LB)

**MAGNETIC LOCK**

Market leading green dome button, that is both hard wearing and cost effective. Suitable for use in applications up to 30V.



**MSL2600**



**SPECIFICATION**

- MSL2600
- Door open delay timer (0.5-25 seconds)
  - Door position detection outputs
  - 12V or 24V DC (auto adjusting)
  - Operating current: 900mA @ 12 or 24V DC
  - Holding current: 220mA @ 12VDC/190mA @ 24VDC
  - Maximum shear force of 1200kg or 2600lb
  - Operating temperature: 0-90C
  - Monitoring relay: NO and NC contacts (rated 24V/1A)

**FEATURES**

- MSL2600
- Automatic repeated locking (maximum 60 times)
  - Suitable for wooden and aluminium door types
  - Made from fireproof materials
  - Magnetic distance (max)
    - 3mm @ 12VDC
    - 5mm @ 24VDC
  - For horizontal mounting only
- Suitable Brackets
- SH2600 (Surface Housing)
  - GD2600 (Glass Door Bracket)

**OTHER PRODUCTS**



**DIMENSIONS**

- MSL2600
- 182x25x30 (mm)
  - 1.2kg (Boxed)
  - 582g (Unboxed)

**CONTENTS**

- MSL2600
- Magnetic Lock Body
  - Armature
  - Shims
  - Screw Pack

