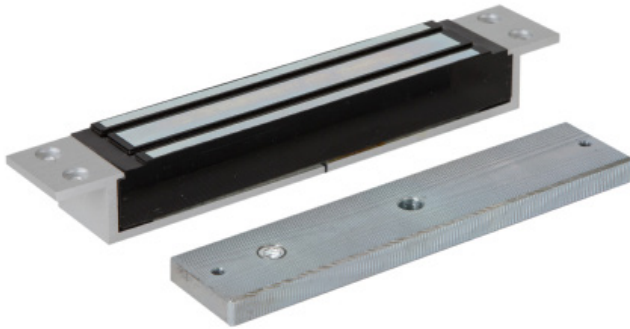


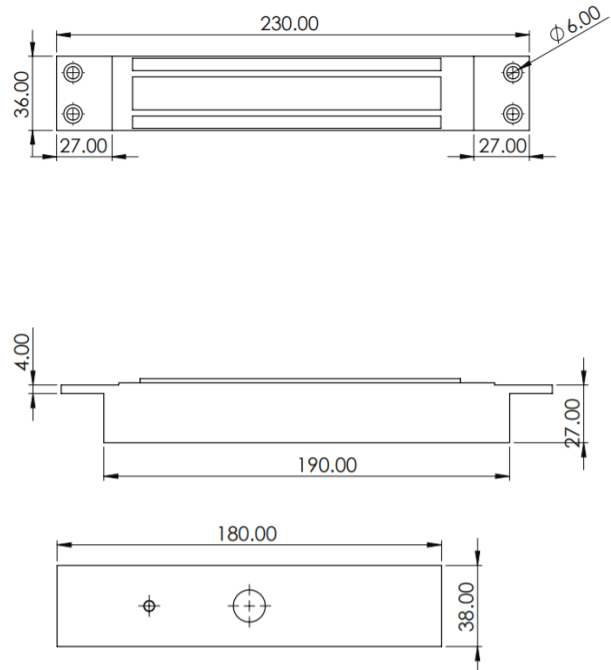


MORTICE MAGNETIC LOCK (600LB)

MAGNETIC LOCK



MM600-MORT



SPECIFICATION	FEATURES	OTHER PRODUCTS
---------------	----------	----------------

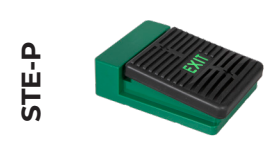
MM600-MORT & MM600-M-MORT

- Aluminium housing
- 12/24VDC @ 480/240mA
- 280kg (600lb) holding force
- Built in surge protection
- Cable length: 230mm

• MM600-M-MORT (Monitored)

MM600-MORT & MM600-M-MORT

- Slim line mini magnet
- Clean and compact design
- Internal use



DIMENSIONS	CONTENTS
------------	----------

MM600-MORT & MM600-M-MORT

- 230x36x27 (mm)
- 1.68kg (Boxed)
- 1kg (Unboxed)

MM600-MORT & MM600-M-MORT

- Mortice magnet
- Armature
- Fixing Pack

